

Candide 440 mm Handwash Basin

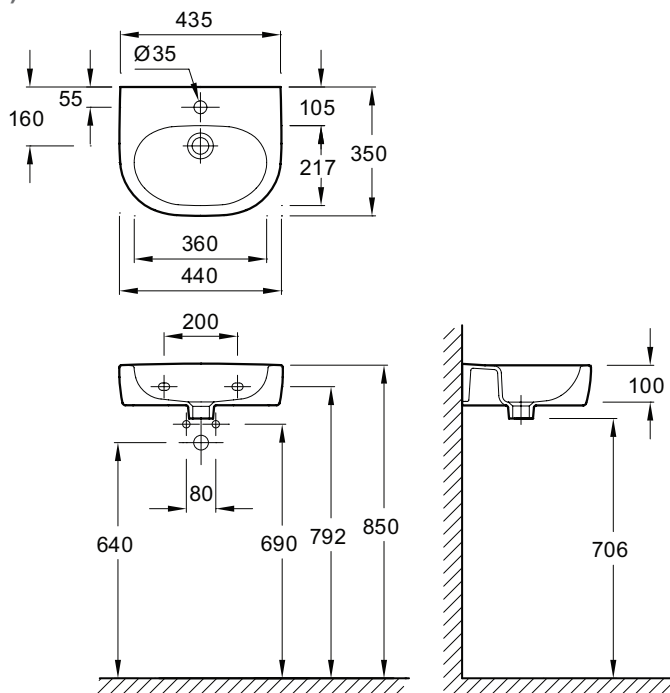
17152W

Product Description:	Candide 440 mm handwash basin, 1 tap hole
Recommended Item:	19087D-00 Semi-pedestal
Product Dimensions:	W440 x D350 mm
Colour/Finish:	White
Material:	Vitreous China
Product Weight (kg):	9.6
Fixings Included:	Yes
Guarantee (Years):	25



Additional Information: Rinse thoroughly and use a soft cloth to wipe the product dry after use. Soft abrasive cleaners may be used when necessary to clean vitreous china products. Strong abrasive cleaners will scratch and dull the surface. Wipe any splashes of cleaning solutions from plastic or plated surfaces immediately.

Dimensions (mm)

**Kohler UK**

Sales and Technical:

+44 (0) 844 571 0048 (Calls cost 7p per minute plus your phone company's access charge)

info@kohler.co.uk

www.KOHLER.co.uk

THE BOLD LOOK
OF **KOHLER**®